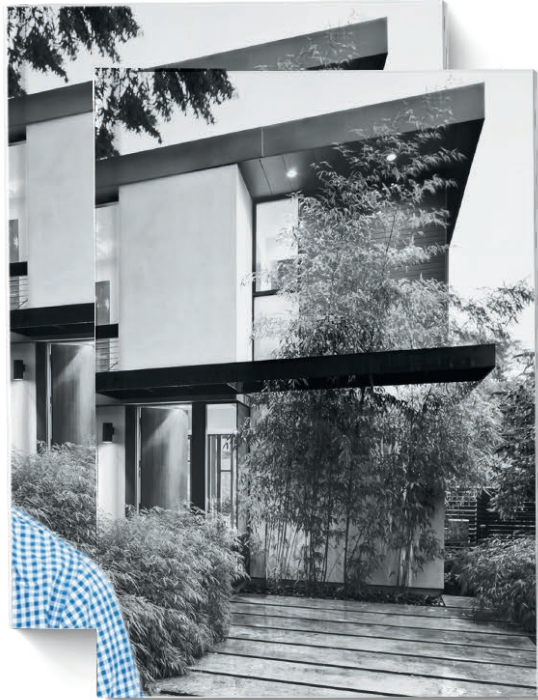


Canon

CANON SOLUTIONS AMERICA

DIGITAL MONOCHROME PRODUCTION PRESS



 CANON SEE IMPOSSIBLE

Océ VarioPrint 6000+ Series

Océ VarioPrint 6000+ Series

EXPERIENCE MORE



AT-A-GLANCE

ENJOY PEAK PRODUCTIVITY

- Océ Gemini Instant Duplex Technology
- Up to 12 paper trays for up to 24,000 letter-sized sheets*
- Roll-feed option for runs up to 60,000 sheets
- Cold paper path for inserting from any tray
- Output capacity up to 18,000 sheets
- Océ Paper Logic for first-time-right output

ENTER NEW AND PROFITABLE MARKETS

- Three models—Ultra+/TP+/MICR+
- Four speeds to match your output needs
- True convergence printers for on-demand and transactional printing on one press
- DFD interface supports perfect binding, saddle-stitch, folding, and punching
- Adobe® PostScript® 3™ (3020)/APPE 3, PDF/VT, PCL 6, IPDS,** SRA PCL6**

DO MORE WITH LESS

- Easy operation of multiple units with the intuitive PRISMAsync server
- Up to 10 million images per month
- Add speed when you need it with Speed Pass Program
- Plan-ahead production with intelligent Job Scheduler
- Easy integration into Xerox® and Kodak® workflows with DPLink,** KDKLink**

* 20 lb. Bond (80 gsm) with Duo Tray option.

** Optional

CORE TECHNOLOGIES HELP YOU POWER THROUGH THE MOST DEMANDING PRODUCTION REQUIREMENTS



A TRULY REVOLUTIONARY TECHNOLOGY

Océ Gemini technology prints both sides of a page in a single pass at full-rated speed. Productivity soars because the system runs at the same speed for all types of media. One-pass duplex printing through a short, simple paper path virtually eliminates paper jams and helps ensure higher throughput.

ACTIVE REGISTRATION

A sophisticated, sensor-controlled system helps ensure correct sheet positioning prior to printing. Then, imaging both sides of a page at the same time, Océ Gemini technology helps ensure outstanding, front-to-back registration, a hallmark of professional, high-quality printing.

OCÉ COPYPRESS

Océ CopyPress technology presses toner into the page, fusing the toner without waste or the use of developer. Low fuser temperatures help to prevent paper curl and reduce the chance of toner cracking when folded or creased. The result is offset-like print quality with outstanding resolution of 600 x 1200 dpi and 180 lines per inch.

OCÉ SCREENPOINT

While most documents today are created in color, not all need to print that way. Océ ScreenPoint Technology features automatic color rendering to black and white with smooth grayscale transitions, excellent resolution, dense black fills, and precise fine lines. Plus, you can adjust contrast and control darkness and lightness without sacrificing detail for the look and feel of offset continuous tone.

SPEED PASS PROGRAM

Upgrade the speed of your Océ VarioPrint 6000+ Series system when and where you need it. Without making a significant, long-term investment, you can handle peak production workloads faster while keeping your clients satisfied—all without the hassles or high costs of new equipment, overtime, or outsourcing.

OFFSET QUALITY

- Outstanding half-tone quality with 600 x 1200 dpi and up to 180 lpi
- Automatic sheet positioning and superb registration
- Océ ScreenPoint provides optimal image quality
- Océ CopyPress technology handles a wide variety of media, including textured stocks

ENVIRONMENTAL STEWARDSHIP

- Highly efficient energy consumption
- Solvent-free toner with virtually no waste
- Minimal ozone emissions
- Low noise level for operator comfort
- RoHS compliant

EXPERIENCE SUPERB RELIABILITY

- Robust build constructed for rigorous, high volume environments
- Low-maintenance design with components built to last the life of the machine
- High reliability with a short, simple paper path
- BLI Certificate of Reliability*
- No slow downs on mixed media jobs (mixed weight/coated/uncoated)

* BLI 10 million-impression evaluation, 2010.

ESSENTIAL CAPABILITIES

KEEP PACE WITH YOUR CHANGING BUSINESS

RELIABILITY AND DURABILITY

Océ VarioPrint 6000+ Series presses are built to handle heavy workloads and deliver consistent, reliable performance to help ensure optimal uptime. A low-maintenance design features core components built to last the life of the machine, helping to ensure low cost of ownership.

This combination of speed, throughput, and versatility lets you replace multiple smaller machines with one Océ VarioPrint 6000+ Series system. In fact, the systems are so reliable and easy to use that one operator can run multiple printers at a time, allowing for better staff utilization.

The Océ VarioPrint 6000+ Series helps you handle jobs more efficiently, meet peak production loads, have lower labor, operating, and maintenance costs, and welcome tight deadlines and demanding volumes. You have the most productive monochrome sheetfed printer on the market.



SCALABILITY AND FLEXIBILITY

Available in three models (Ultra+, TP+, MICR+) and with four print speeds (166 ipm, 198 ipm, 248 ipm, 306 ipm) robust Océ VarioPrint 6000+ Series printers offer the flexibility to match the needs of virtually any print environment. Each model can switch instantly between bills and statements, books, tabbed reports, and more. They can accommodate a wide range of substrates and sheet sizes while producing up to 10 million impressions per month.

And to provide investment protection when long-term performance is required, the Océ VarioPrint 6160+/6200+/6250+ models* can take advantage of the Speed Pass Program to help accommodate intermittent spikes in demand.



* The upgrade of the Océ VarioPrint 6250 to Océ VarioPrint 6320 is available only for Ultra+ and TP+ models.

BUILT TO PERFORM

MODULAR FEEDING AND FINISHING

Choose up to three paper input modules with 12 trays and a combined capacity of up to 24,000* sheets for hours of unattended production. A cold paper path lets you insert pages from any tray, eliminating the need for a post insertion unit, the additional space it requires, and associated service costs. For the largest jobs, an optional roll feeder can handle up to 60,000 Letter sheets of input and adding up to three high-capacity stackers provides an optional output capacity of up to 18,000 sheets.

Whether you're in a corporate print center or your business is commercial printing, you can add value to every document by offering booklet-making, binding, stapling, and punching in a single, integrated process.

The open finishing (DFD) interface on the High-Capacity Stacker allows for integration into a range of third-party finishing options for production of professionally finished, perfect-bound books as well as saddle-stitched and square spined booklets.



SUSTAINABILITY AND THE ENVIRONMENT

At Canon, sustainability begins with R&D and is designed into every product with, components and materials that are built to last. Océ VarioPrint 6000+ Series components are RoHS-compliant, and up to 95% can be reused or recycled at the end of their useful lives.

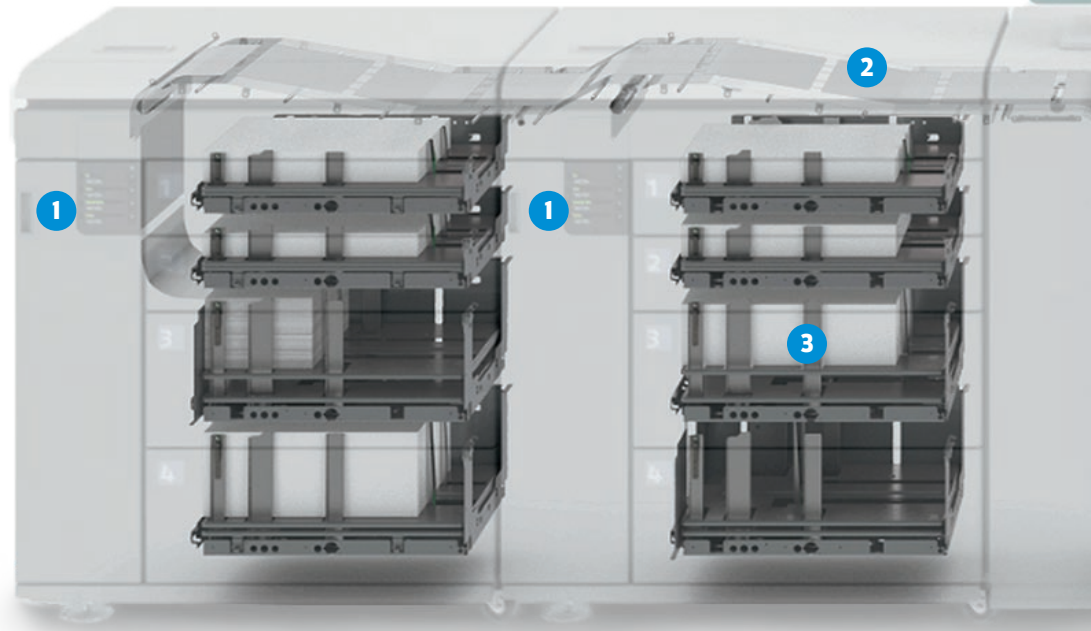
While in use, Océ VarioPrint 6000+ Series systems have one of the lowest, if not the lowest, energy consumption in its class, helping to decrease your cooling and air conditioning demands. This, combined with Océ CopyPress technology, helps to keep ozone emissions negligible. And with no solvents in its toner, there's no need for sophisticated air filters or specially ventilated work areas. Additionally, 100% toner usage eliminates waste, so there's no need for an internal cleaning system, a toner waste bottle, or the disposal of developer.



* Maximum Letter-sized capacity 20 lb. Bond (80 gsm) with Duo Tray option.

DESIGNED FOR PROFITABLE PRODUCTIVITY

The Océ VarioPrint 6000+ Series combines built-to-last, leading-edge technologies that can help you expand your horizons into new and profitable markets. Do more with less. Easily integrate into existing workflows and protect your investment with scalable performance.



KEY FEATURES

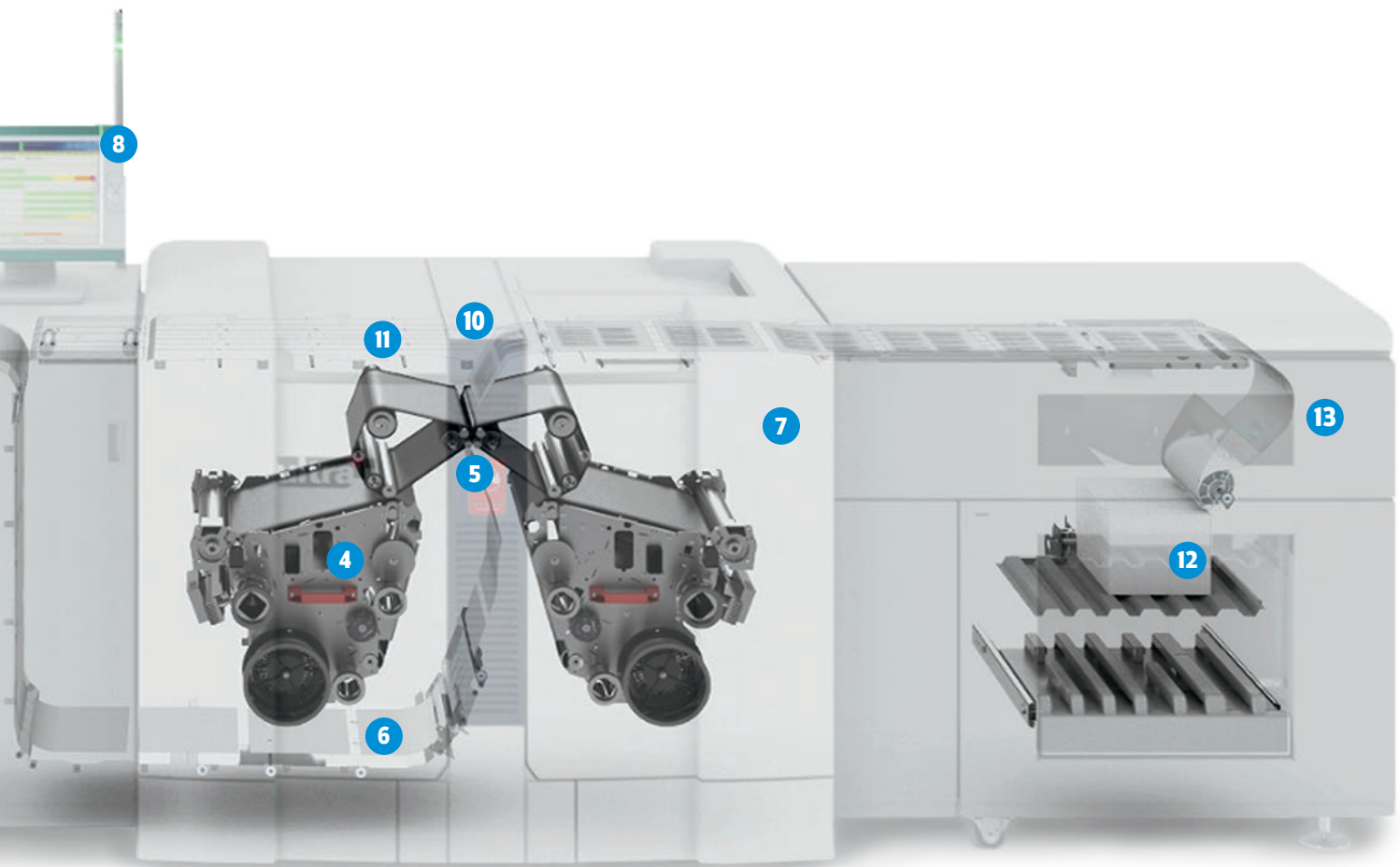
FEEDING

- 1 PAPER SUPPLIES AND CAPACITY**
Up to three paper input modules with a maximum capacity of 24,000 Letter-sized sheets,* with Duo Tray option.
- 2 DOUBLE-SHEET DETECTION**
Automatically detects multiple sheets to prevent jams, errors, and help reduce downtime.
- 3 OCÉ PAPER LOGIC TECHNOLOGY**
Takes the guesswork and errors out of loading paper trays. Simply load paper in the orientation in which it's intended to print.

IMAGING

- 4 OCÉ GEMINI TECHNOLOGY**
Images both sides of a page at the same time, helping to deliver tight registration, faster throughput, less waste, and lower operating costs.
- 5 OCÉ COPYPRESS TECHNOLOGY**
Presses toner into the substrate providing an even, offset-like look and feel to text and images.
- 6 ACTIVE REGISTRATION**
Sophisticated sensors help ensure precise sheet positioning for simultaneous duplexing.
- 7 MONO-COMPONENT TONER**
Oil- and developer-free imaging helps ensure excellent image quality in a clean environment, without the need for costly ventilation systems or special filters.
- 8 OCÉ SCREENPOINT TECHNOLOGY**
Provides outstanding 600 x 1200 dpi resolution for crisp text and exceptional halftone images.

* 20 lb. Bond (80 gsm)



PRODUCTIVITY AND USABILITY

9 PRISMASYNC PRINT SERVER



Intuitive, graphical user interface shows production schedules at a glance, predicts run times, and indicates when consumables will need replacement.

10 SPEED PASS PROGRAM

Handle short-term, peak volumes with the ability to produce up to 306* letter pages per minute on Océ VarioPrint 6160+/6200+/6250+ models.

11 COLD PAPER PATH

Pages can be inserted from any tray, bypassing the imaging engine using a cold paper path for accurate automatic interposing. This helps optimize tray usage while helping reduce the overall footprint of the press.

12 HIGH-CAPACITY STACKER

Holds up to 6,000 sheets in sizes from 8" x 8" to 12.6" x 19.2" and adding up to 18,000** sheets with maximum stacker configuration. Optional Set Finisher provides stapling for sets of up to 100 sheets.**

13 DFD INTERFACE

Supports integration with a range of third-party, in-line finishers for professional folding, punching, and binding.

14 GBC POWER PUNCH***

Heavy duty interchangeable die sets provide a variety of punch patterns for high volume punching.

15 SQUARE-FOLD BOOKLET-MAKERS***

Deliver professional-looking, lie-flat booklets with the speed and simplicity of in-line saddle-stitching.

- The Océ BLM200 Booklet-Maker for up to 100 pages** booklets
- The Océ BLM550+ Booklet-Maker for booklets of up to 224 pages**
- The SDD BLM6300 Booklet-Maker for optimal productivity with the Océ VarioPrint 6320+ Models

16 SDD BGB3202 PERFECT BINDER***

Provides automated, on-demand, production of glue bound books with up to 600 pages.

17 DFS30-N TAPE BINDER***

Provides in-line production of tape bound booklets of up to 100 sheets.

* Up to 248 ppm on MICR+ models.

** 20 lb. Bond (80 gsm).

*** Not shown.

STREAMLINED WORKFLOW INTEGRATION



PRISMAsync PRINT SERVER

Boost productivity with intuitive workflow

PEOPLE-CENTRIC DESIGN

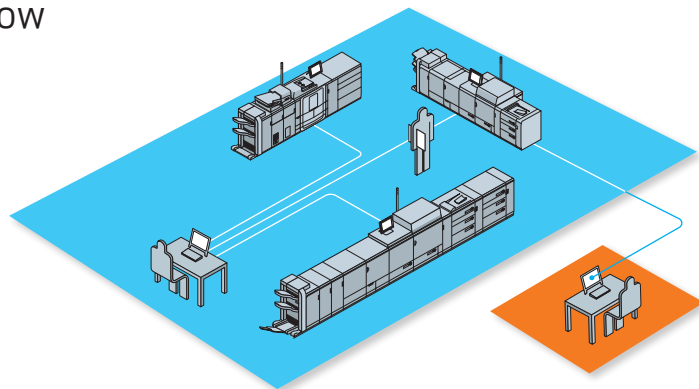
The PRISMAsync Print Server platform helps streamline production by making printing operations more intuitive and consistent. One integrated user interface combines the functionality of a digital front-end with the engine controller, simplifying production steps for even the most complex jobs. Its intuitively designed touch-screen helps minimize learning curves, reducing time and money spent on training.

EFFICIENT, TASK-BASED WORKFLOW

The PRISMAsync Print Server offers a task-based workflow that separates jobs and clarifies communications between prepress and production departments to help minimize errors, turnaround time, and waste.

NON-STOP PRODUCTIVITY

Accelerate turnaround times with up to eight hours of plan-ahead production. The Job Scheduler provides operators with the ability to monitor multiple jobs, receive custom notifications, and change priorities as needed. Visible from a distance, the Operator Attention Light signals upcoming operator interventions, such as media and consumable refills, giving you time to avoid interruptions in production



MEDIA SYNCHRONIZATION

A media-driven workflow with a customized, define-once media catalog helps deliver consistent and productive media handling.

ENABLE TARGETED MARKETING

PRISMAsync print servers provide powerful variable data printing (VDP) support with record-based editing and management, and full compatibility with industry-standard VDP workflows, including PDF/VT1 and PPML.



Adobe® PDF Print Engine
with Mercury RIP Architecture



ADDRESS SECURITY CHALLENGES

Canon provides multilayered security solutions that protect devices, data, and document output. From guarding the device against unauthorized users to minimizing the risk of cyber attacks, Canon actively incorporates features and functions, such as E-shredding and the optional Integrity Checker, that meet today's challenges.

MANAGE AND MONITOR PRODUCTION REMOTELY

Operators and administrators can manage queues, submit print jobs, and reroute jobs among multiple PRISMAsync-driven engines via the standard PRISMAsync Remote Manager software. The unique, Web-based, multipress scheduler provides remote monitoring from virtually any workstation* or mobile device on your network.

SMOOTH WORKFLOW INTEGRATION

PRISMAsync is powered by Adobe PDF Print Engine with Mercury RIP architecture and integrates with JDF and JMF tools to help streamline and accelerate processes, reduce costs, and help you manage and control your operations. The PRISMAsync controller helps reduce costs while boosting production capacity.

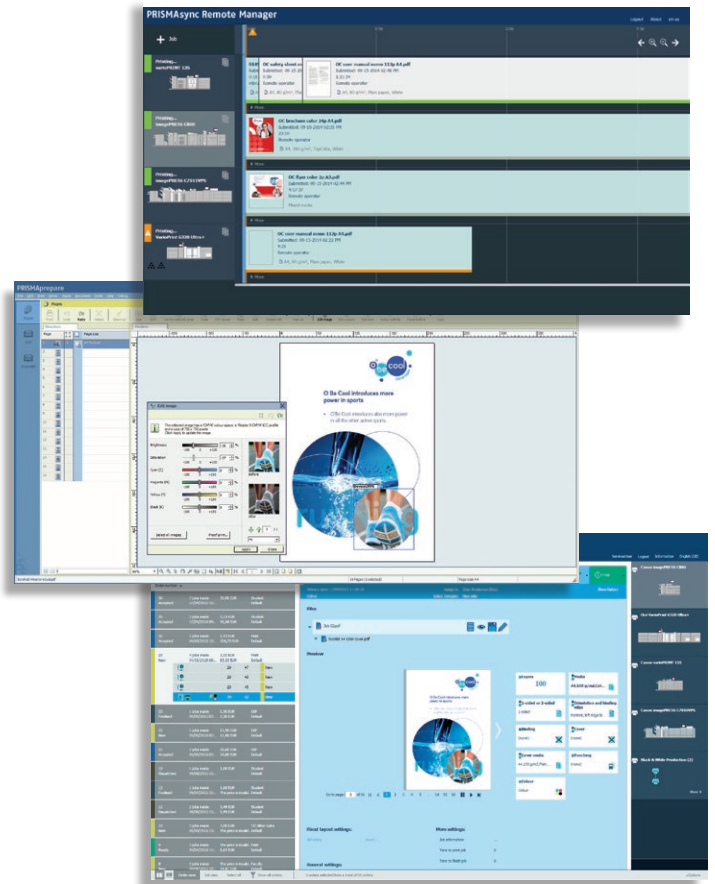
BENEFIT FROM AN INTEGRATED PRODUCTION WORKFLOW

Streamline and simplify complex workflows with the PRISMA suite of workflow solutions. From job submission and preparation through professionally finished output, invoicing, and reporting, PRISMA solutions accelerate processes and help you to reduce costs and keep control of your operation.

Modules include PRISMAdirect order and workflow management solution, PRISMAprepare job preparation software, and the PRISMAsync family of print servers. Select the modules that fit your desired workflow and add options as your operation grows.

PROTECT YOUR PREVIOUS INVESTMENT

In mixed equipment environments, the PRISMAsync server lets you run and control jobs from Kodak® Smartboard** and Xerox® FreeFlow® MakeReady*** workflows without losing job ticket settings or media attributes.† PRISMAsync solutions help ensure a smooth, efficient workflow, from job submission and preparation through professional finished output.



* The remote workstation must be connected to the same network as the digital press. An HTML 5-compatible Web browser with JavaScript and WebSocket support is required. See the PRISMAsync Remote Manager documentation for details.

** Using Océ KDKlink

*** Using Océ DPLink

† Not all job-ticket features are supported on all engine configurations.

THE RIGHT FIT FOR YOUR BUSINESS

Océ VarioPrint 6000 ULTRA+ LINE

DO MORE WITH LESS

The Océ VarioPrint 6000 Ultra+ digital perfecting systems feature superb registration, offset-like print quality, mixed media paper handling, and a range of in-line finishing including binding, booklet-making, and punching. These systems are ideal for duplex tabs, reports, training manuals, and rapidly growing opportunities such as on-demand book printing, and more.

Designed to handle a broad range of jobs quickly and reliably, the versatile Océ VarioPrint 6000 Ultra+ system helps you do more, without the need to purchase, operate, and maintain multiple systems for different types of jobs. With speeds ranging from 166 ipm to 306 ipm (Letter) and the ability to produce volumes of up to 10 million images per month, you can take on more work while increasing the range of services you provide.



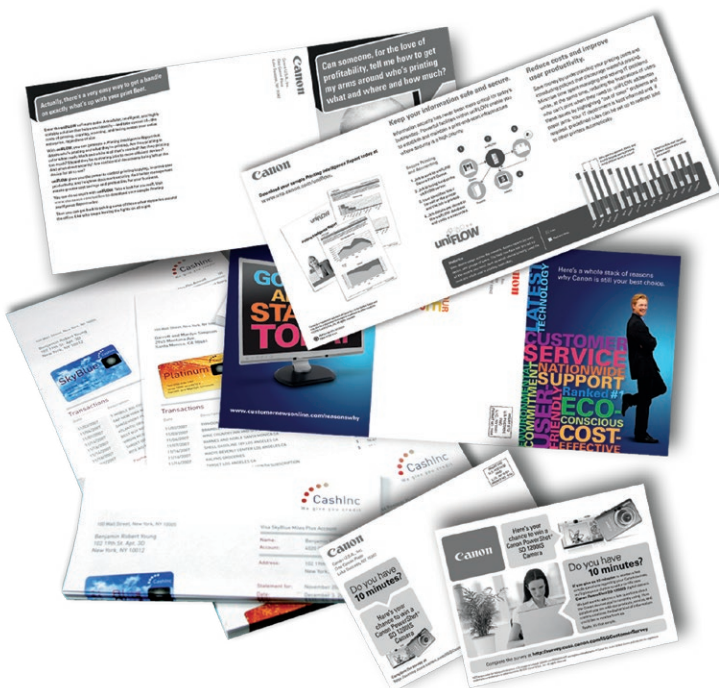
Océ VarioPrint 6000 TP+ LINE

DESIGNED FOR TRANSACTIONAL PRINTING

The Océ VarioPrint 6000 TP+ systems are optimized for the rigors of transactional and direct mail environments. Built from the ground up for demanding peak volumes, inserting, and finishing, it takes productivity and reliability to the next level. A special fusing station helps ensure outstanding quality from the moment output emerges from the printer to the time it's finished and inserted in an envelope. What's more, support for a variety of media types, weights, and sizes expands your application possibilities.

BUILT FOR CONVERGENCE

A family of true convergence printers, Océ VarioPrint 6000 TP+ presses can switch from on-demand publishing (PDF, PostScript, PCL, PPML)* to transactional printing (IPDS, SRA PCL6)* in an instant. This helps ensure reliable production of transactional documents, direct mail, post cards, letters, notices, and more, without having to maintain multiple systems for different types of job.



* Not all PDLs are standard.

Océ VarioPrint 6000 MICR+ LINE

HYBRID PRINTING AND DIGITAL DUPLEXING

True convergence printers, Océ VarioPrint 6000 MICR+ systems can easily handle host printing applications and, at the touch of a button, switch to on-demand publishing jobs. This lets you print payroll, balance transfer, refund, and convenience checks at night and use the same machine to print booklets, manuals, invoices, statements, direct mail, and other standard duplex jobs by day.

With near-offset quality and scalable performance of up to 166, 198, or 248 images per minute (Letter), the Océ VarioPrint 6000 MICR+ Line has the power to do more work in less time, providing the confidence you need to take on diverse, complex applications with tough media requirements.

SAFETY AND SECURITY

Producing sensitive MICR documents requires absolute security, accuracy, and quality. Océ VarioPrint 6000 MICR+ systems offer security features such as micro-font printing and accountability for submitted checks,* helping to ensure that information isn't lost and checks aren't double-printed.

MICR quality is very stable, thanks to patented Océ CopyPress technology and the Océ Gemini print engine. Print quality rarely needs to be adjusted because printed characters maintain uniform signal strength. Checks printed on Océ VarioPrint 6000 MICR+ printers are processed through high-speed readers/sorters with a read rate higher than 99%.



LEARN FROM EXPERIENCE

POWER YOUR BUSINESS

A COMPETITIVE ADVANTAGE

Give your business a competitive edge by letting Canon help you increase productivity and improve your bottom line. Its extensive print experience translates to deep insight into industry characteristics and trends as well as customers' goals and challenges. Canon's understanding of various printing markets allows it to tailor its solutions to help meet your specific needs.

TOTAL SOLUTIONS

Canon's portfolio of technology offerings is among the broadest in the industry. From digital, cut-sheet, continuous-feed, and wide-format to inkjet, photo printers, and workflow solutions, Canon has a customized solution to meet your business needs.



* Only supported in AFP/IPDS workflows.

MAIN UNIT

Technology:	Océ CopyPress
Printer Type:	LED
Engine Type:	Océ Gemini Instant Duplex Technology
Print Resolution:	600 x 600 dpi or 600 x 1200 dpi, 85/106/125/141/180 lpi
Monthly Duty Cycle (Letter images)	6320 Ultra+/TP+: 1 to 10 Million 6250 Ultra+/TP+/MICR+: 750,000 to 8 Million 6200 Ultra+/TP+/MICR+: 500,000 to 5 Million 6160 Ultra+/TP+/MICR+: 300,000 to 2.5 Million
Duplex Print Speed (ipm)	6320*/6250/6200/6160: Up to 306/248/198/166 (Letter) Up to 164/133/106/89 (Ledger) 7.2" x 7.2" to 13" x 19.2"
Paper Size:	
Maximum:	12.6" x 19.2"
Minimum:	8" x 8"
Optional:	7" x 10" (178 mm x 254 mm) 13.8" x 19.7" (350 mm x 500 mm)
Paper Feeding	Air Separation, Suction Feeding
Paper Weight	
Plain Paper:	13 lb. Bond to 110 lb. Cover** (50 gsm to 300 gsm)
Coated Media:	20 lb. Bond to 90 lb. Cover** (80 gsm to 250 gsm)
Power Source	
3 Phase:	208-240 V, 30 A
Single Phase:	208-240 V, 50 A
Dimensions (H x W x D)	76" x 115" x 42.1" (Includes PIM and Input Interface Module)
Weight (Includes PIM and Input Interface Module):	2,231 lb. (1,012 kg)

INPUT ACCESSORIES

PIM (1 Standard, Up To 2 Optional)

Max. 2 PIMs in combination with a Roll Feeder/Unwinder

Paper Capacity:	4,600 Sheets (20 lb. Bond) Standard 8,000 Sheets (20 lb. Bond) with Duo Tray option
Tray 1 and 2:	600 Sheets
Tray 3 and 4:	1,700 Sheets Standard/ 3,400 Sheets with Duo Tray option
Paper Size:	
Minimum:	8" x 8" Optional: Statement Size (7" x 10")
Maximum:	12.6" x 19.2"

Paper Weight:	
Plain Paper:	13 lb. Bond to 110 lb. Cover** (50 to 300 gsm)
Coated Media:	20 lb. Bond to 90 lb. Cover** (80 to 250 gsm)
Power Source:	115 V/15 A
Dimensions (H x W x D):	45.3" x 39.1" x 28.3" (1150 mm x 992 mm x 718 mm)
Weight:	507 lb. (230 kg)

Tecnau Sheet Feeder (Roll-to-Sheet Feeding: Optional)

Standard Paper Weight:	16 lb. Bond to 100 lb. Index (60 gsm to 200 gsm)
Roll Diameter:	4" to 50" (100mm to 1270mm)
Web width:	8.27" to 12.6" (210mm to 320 mm)
Sheet Size:	8.27" x 8" to 12.6" x 19.2" (210 mm x 23 mm to 320 mm to 488 mm)
Power Source:	110-120 VAC 50/60 HZ, 6 A
Dimensions (H x W x D):	63" x 148" x 43" (1600 mm x 3770 mm x 1100 mm)
Weight:	1338 lbs. (607 kg)

FINISHING ACCESSORIES

High-Capacity Stacker 2.1 (1 Standard, Up To 2 Optional)

Capacity:	6,000 Sheets (2 Stacks x 3,000 Sheets-20 lb. Bond)
Maximum Total Stacking Capacity:	18,000 Sheets (with Optional Stackers Attached)
Paper Size:	8" x 8" (203 mm x 203 mm) to 12.6" x 19.2" (320 mm x 488 mm)
Paper Weight	
Plain Paper:	13 lb. Bond to 110 lb. Cover* (50 to 300 gsm)
Coated Media:	20 lb. Bond to 90 lb. Cover* (80 to 250 gsm)
DFD Interface (Optional):	For Integration with Third-Party Finishing
Power Source:	115 V/15 A
Dimensions (H x W x D):	46.0" x 45.4" x 28.9" (1169 mm x 1154 mm x 734 mm)
Weight:	353 lb. (160 kg)

Set Finisher (Optional for High-Capacity Stacker 2.1)

Paper Capacity:	4,000 Sheets (Plain Paper Sheets Letter-20 lb. Bond)
Paper Size (Stacked and Stapled):	Long edge: 10.8" to 12" (275 mm to 306 mm) Short edge: 8.2" to 8.7" (208 mm to 220 mm)
Number of Staples in a Set:	1 or 2 Position Staples
Stapling Position:	Portrait, Landscape, Book
Stapling Capacity:	100 Sheets Plain Paper (20 lb. Bond) Shorter 50-Sheet Staple (Optional)
Power Source:	115 V/15 A
Dimensions (H x W x D) (Includes HCS):	75.9" x 45.4" x 28.9" (1928 mm x 1154 mm x 734 mm)
Weight (Includes HCS):	639 lb. (289 kg)

GBC PowerPunch (Optional)

Paper Size:	Letter/Ledger
Paper Weight:	16 lb. Bond to 90 lb. Cover (60 to 250 gsm)
Punches:	3-hole, Round, Loose Leaf 11-hole, Round, VeloBind 19-hole, Rectangular, Plastic Comb 23, 32-hole, Square, Wire 32-hole, Square, Pro-Click 44-hole, Round, ColorCoil
Power Source:	110 V/20 A
Dimensions (H x W x D) (Includes Offset Stacker):	46" x 81" x 32" (1169 mm x 2057 mm x 813 mm)
Weight (Includes Offset Stacker):	890 lb. (404 kg)

DFS30-N Tape Binder (Optional)

Paper Size:	Letter
Paper Weight:	16 lb. Bond to 80 lb. Cover (60 to 216 gsm)
Capacity:	10-100 Sheets 101-120 Sheets (subject to test)
Power Source:	120V/15A
Dimensions (H x W x D):	44" x 34" x 28" (1118 mm x 864 mm x 711 mm)
Weight:	353 lb. (160 kg)

Océ BLM200 Booklet Maker (Optional)

Paper Size:	8" x 9.8" to 12" x 18" (203 x 248 mm to 305 x 470 mm)
Paper Weight:	16 lb. Bond to 110 lb. Cover (60 to 300 gsm)
Booklet Stapling	
Capacity:	Up to 25 Sheets
Options:	Trimmer, Square Fold, Power Stacker
Power Source:	120 V/15 A

Dimensions (H x W x D):	44.7" x 89" x 26.8" (1135 mm x 2260 mm x 680 mm) (Includes Booklet-Maker, Trimmer, Square-Fold Stacker)
Weight:	661 lb. (300 kg)

Océ BLM550+ Booklet-Maker (Optional)

Paper Size:	8" x 8" to 12.6" x 19.2" with Standard PIM (203 mm x 203 mm to 320 mm x 488 mm) 13.8" x 19.7" with Paper Input Module Large-A1
Paper Weight:	Uncoated/Plain: 20 lb. Bond to 110 lb. Text (80 to 160 gsm); 16 lb. Bond to 90 lb. Cover (60 to 250 gsm), depending on paper type and quality Coated: 100-155 gsm
Book Thickness:	Up to 10.4 mm/approx. 208 pages (20 lb. Bond)
Options:	Book Stacker, P2T Two-Knife Trimmer
Power Source:	Single Phase: 200 to 240 V/16 A, 50/60 Hz
Dimensions (H x W x D):	52.4" x 65.9" x 73.6" (1330 mm x 1675 mm x 1870 mm)
Weight:	1,549 lb. (702 kg)

SDD BLM6300 Booklet-Maker (Optional)

Paper Size:	8" x 8" to 12" x 18" (203 mm x 203 mm to 305 mm x 457 mm)
Paper Weight:	16 lb. Bond to 89 lb. Cover (60-240 gsm)
Capacity:	Up to 25 Sheets (20 lb. Bond)
Options:	Rotator, Trimmer, Square Fold, Belt Stacker
Power Source:	120 V/15 A
Dimensions (H x W x D):	48" x 152.4" x 26.8" (1220 mm x 3870 mm x 680 mm)
Weight:	983 lb. (445 kg)

SDD BGB3202 Perfect Binder (Optional)

Paper Size:	8" x 8" to 12.6" x 12.6" (203 mm x 203 mm to 320 mm x 320 mm)
Body Paper Weight:	40 lb. Text to 100 lb. Index (60 to 200 gsm)
Cover Weight:	20 lb. Bond to 110 lb. Cover (80 to 300 gsm)
Book Thickness:	0.04" to 2.36" (1 to 60 mm), 10 to 600 Sheets (20 lb. Bond)
Power Source:	3 Phase, 208V, 12 A
Dimensions (H x W x D):	59.8" x 87" x 79.5" (1520 mm x 2210 mm x 2020 mm)
Weight:	2,943 lb. (1,335 kg)

Connectivity

Supported PDLs

- PDF/VT
- PDF
- PCL 6
- PPML (optional)
- PostScript® 3 (3020)/APPE 3
- IPDS† (optional)
- SRA PCL6 (optional)

Workflow Support

- Automatic language sensing for PostScript, PDF, and PCL 6
- Streaming for all PDLs
- Push button switching from IPDS or SRA PCL6 to PostScript 3/PDF PCL 6
- Xerox® DigiPath™ software and PDF, and PCL 6, FreeFlow job ticket support with Océ DPLink™ software (optional)††
- Kodak® SmartBoard® connectivity support with Océ KDKLink™ (optional)††

* 6320 speed mode available only with Ultra+ or TP+ systems.

†† Please see Media Guide for detailed media specifications.

† AFP IS/3 Standard Compliant.

†† Not all job ticket features are supported in all engine configurations.

For more information, call or visit
1.800.815.4000 CSA.CANON.COM

Canon

CANON SOLUTIONS AMERICA

As an ENERGY STAR® Partner, Canon U.S.A., Inc. has certified the Océ VarioPrint 6250 Ultra+ and the Océ VarioPrint 6320 Ultra+ models as meeting the ENERGY STAR energy efficiency criteria through an EPA recognized certification body. ENERGY STAR and the ENERGY STAR mark are registered U.S. marks.

The Océ VarioPrint 6000+ Series configurations can contain multiple components, some of which are manufactured by third parties. Accordingly, Canon makes no representations or warranties with respect to such third-party products. For additional information on any Canon or third-party accessories, contact your Authorized Canon representative.

Canon is a registered trademark of Canon Inc. in the United States and may also be a registered trademark or trademark in other countries. Océ VarioPrint, and PRISMA are registered trademarks of Océ-Technologies B.V. Océ is a Canon Company. All other referenced product names and marks are trademarks of their respective owners. All output is simulated. Specifications and availability subject to change without notice. Not responsible for typographical errors. ©2016 Canon U.S.A., Inc. All rights reserved.

CSA/9-16-329
0916R-CSA6000+-PDF-IH

